



Ray Reisiger

ray@filtertechnologyinc.com

P.O. Box 247
Millersport, Ohio 43046

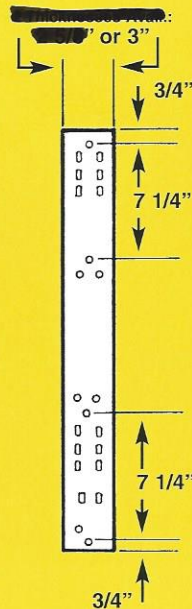
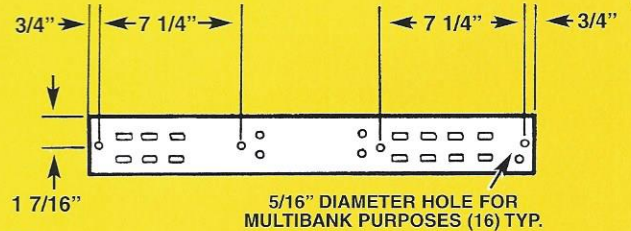
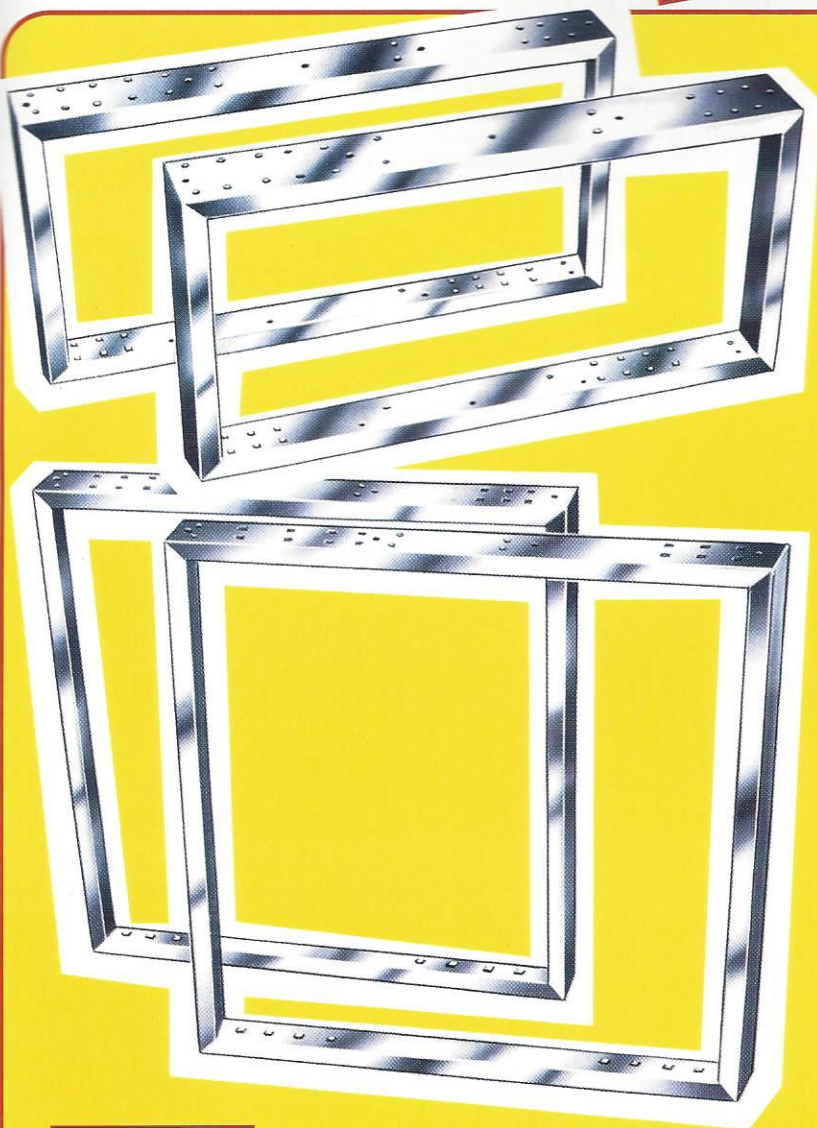
Voice: (614) 921-9801
Fax: (614) 921-9802
Cell: (614) 668-4595

SEAM WELDED UNIVERSAL HOLDING FRAMES

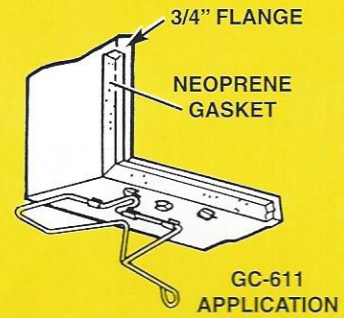
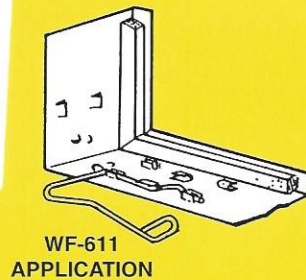
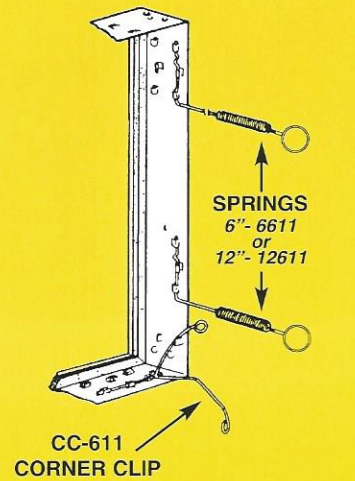
MODEL 611

**ACCEPTS
FILTERS
EASILY!**

- FOUR STANDARD SIZES
- TWO THICKNESSES AVAIL.
- CUSTOM SIZES AVAILABLE




**HOLDING
FRAME CLIPS
SHOWN ON
BACK OF PAGE**



**FRAME SIZES
HEIGHT x WIDTH**

24 x 24
20 x 20
24 x 12
24 x 20

**2 THICKNESSES
AVAILABLE:**
2 5/8" and 3"

- STANDARD OR CUSTOM SPECS***
- FRAME MATERIAL: 16 GAUGE GALVANIZED ALUMINUMIZED STEEL - STAINLESS STEEL
 - CONSTRUCTION: WELDED SEAMS
 - OPTIONAL NEOPRENE GASKET AROUND PERIMETER
 - 2 THICKNESSES:  AND 3"
 - HOLD FRAME CLIPS (SHOWN ELSEWHERE)
 - SPECIAL SIZE FRAMES CAN BE MADE

*SPECIFICATIONS SUBJECT TO CHANGE WITHOUT NOTICE