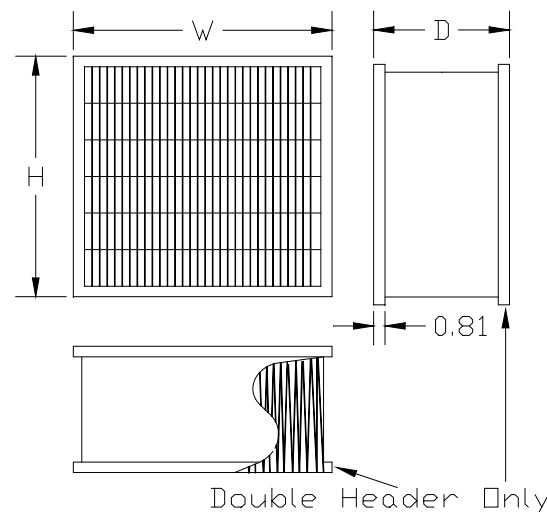


Aerostar HEGA Filters - Series 2000 Headered

Nominal Dimensions	Single Header			Double Header		
	24x24x12	24x20x12	24x12x12	24x24x12	24x20x12	24x12x12
Height, H (inches)	23.38	23.38	23.38	23.38	23.38	23.38
Width, W (inches)	23.38	19.38	11.38	23.38	19.38	11.38
Depth, D (inches)	11.50			11.50		
Media Area (sq ft)	108	89	48	108	89	48
Pressure Drop ("WG)	0.40			0.40		
at Flow Rate (cfm)	2000	1667	1000	2000	1667	1000
Carbon Weight (pounds)	11.0	9.1	4.9	11.0	9.1	4.9

Media Selection	24x24x12	24x20x12	24x12x12	24x24x12	24x20x12	24x12x12
147: Amonia / Amines	15793	15794	15795	15796	TBD	15798
651: Diesel Exhaust	19315	19314	19313	19318	TBD	19316
653: VOC's / Ozone	17979	17980	17981	18809	18810	18811
875: Acid Gas	16503	TBD	16504	17402	TBD	TBD



Frame Material: Galvanized steel

Adhesive: Media bonded with a durable, flexible, low off-gassing sealant

Temperature: 120 F Continuous / 130 F Intermittent

Installation: Install with pleats vertical when possible
Install 10' from heat source

Naming: Series 2651 = Series 2000 with 651 Media

Note: Other sizes available



Filtration Group
912 E. Washington Street
Joliet, Illinois 60433
815-726-4600

TOLERANCES UNLESS
OTHERWISE SPECIFIED:
.XXX = ± 0.005
.XX = ± 0.015
ANGLES = ± 1/2 DEGREE
REMOVE ALL SHARP EDGES

Drawn	Date	Description:
MCM	10/8/2010	Aerostar HEGA Filters
Approved		Series 2000 Headered
PJW	10/8/2010	
		Drawing no. Rev.
Sheet	1 of 1	SD-HEGA-SR2000-HDR C